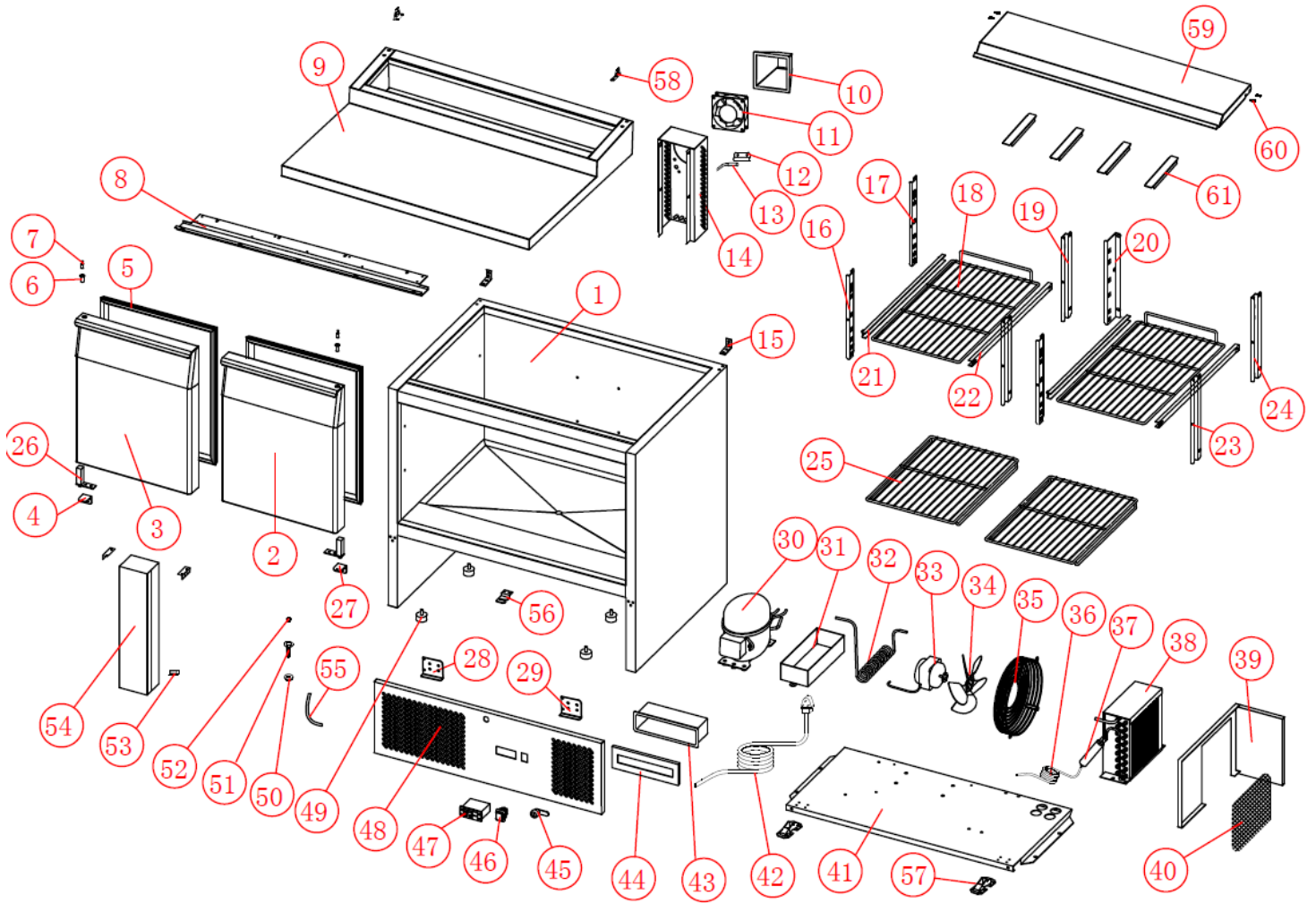


# BCC2ENXX

Exploded parts diagram







Part Number	Number	Name	Qty
***	1	Cabinet	1
***	2	Door (right) *Please check cabinet Mark*	1
***	3	Door (left) *Please check cabinet Mark*	1
K8-HINGE05	4	Bottom Hinge	1
K8-GASKET04	5	Door Gasket	2
K8-AXISSLEEVE	6	Bush	2
X1-HINGEPIN01	7	Hinge Pin	2
K8-HINGE06	8	Upper Hinge	1
***	9	Countertop	1
***	10	Air Guide Cover	1
X1-FAN03	11	Evap Fan	1
***	12	Probe Cover	1
K8-PROBE01	13	Probe	1
***	14	Fan Base	1
***	15	Top Fixing Plate	2
**	16	Ladder Rack (left)	2
**	17	Side Ladder Rack (left)	2
X1-SHELF04	18	Shelf	2
***	19	Rear Ladder Rack(right)	1
***	20	Rear ladder Rack(left)	1
K8-GUIDE02	21	Left Shelf Guide	2
K8-GUIDE03	22	Right Shelf Guide	2
***	23	Ladder Rack (right)	2
***	24	Side Ladder Rack (right)	1
X1-SHELF11	25	Bottom Shelf	2
***	26	Spring Hinge	2
K8-HINGE05	27	Right Bottom Hinge	1
***	28	Panel Hinge Fixing Plate (Left)	1
***	29	Panel Hinge Fixing Plate (Right)	1
K8-COMP07	30	Compressor	1
K8-PAN01	31	Vaporising Tray	1
***	32	Vaporizing Coil	1
K8-MOTOR01	33	Cond Fan Motor	1
***	34	Cond Fan blade	1
***	35	Cond Fan Guard	1
X1-CAPILLARY03	36	Capillary	1
***	37	Drier	1
***	38	Condenser	1
***	39	Air Deflector Plate	1
***	40	Cond Filter	1
***	41	Cooling Unit Board	1
***	42	Power Cord	1
***	43	Plastic Water-proof Box	1
***	44	plastic water-proof box cover	1
X1-LOCK04	45	Door Lock	1

X1-SWITCH01	46	Power Switch	1
X1-CONTROLLER03	47	Controller	1
***	48	Panel	1
***	49	Feet	4
K8-DRAIN01	50	Drain-Pipe Nut	1
K8-DRAIN02	51	Drain Spigot	1
K8-PLUG	52	Drain plug	1
***	53	Mullion Connector	3
***	54	Mullion	1
K8-DRAIN03	55	PVC drain-pipe	1
***	56	Panel Lock Bracket	1
***	57	Panel Hinge	2
K8-HINGEAXIS	58	Hinge Pin Base	1
K8-LID01	59	Lid	1
K8-COVERAXIS	60	Cover Axis Lid	4
K8-SPACER	61	Spacer Bar	4

**\*\*\* Please contact Spares for assistance \*\*\***

**\*Other models available;**

**Granite Top, BCC2-GR-TOP**

**Pizza Prep, BCC2PREPGRANITE**